

NSUWSRx Underwater Slip Ring Contact

NSUWSR | Stainless Steel Underwater Slip Ring Contact

The NSUWSR is an underwater slip ring contact that uses brushes on stationary contacts to transfer electrical connections.

The slip ring is consists of a stator and a rotor.

There are two different configurations available; up to 12 connections or up to 21 connections.



Configurations :

- NSUWSR-6-12
- NSUWSR-13-21

Features:

- Extremely ruggedized
- Small Housing
- Long life

Applications:

- ROV's
- Rotating Installations

website link : <https://www.novasub.com/product/nsuwsr-underwater-slip-ring/>

product video : <https://www.youtube.com/channel/UCRqqqmJy8O7XEabp7S1rpQ>

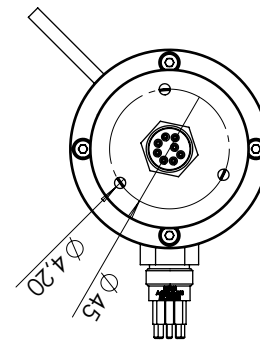
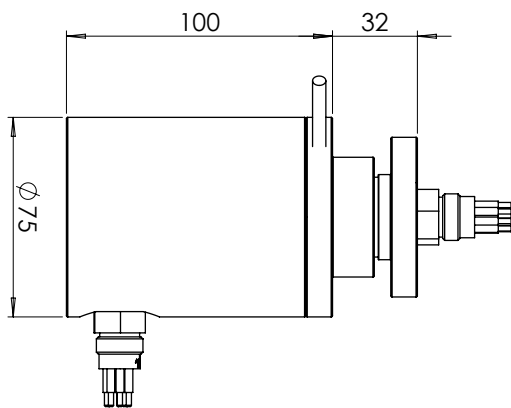
NSUWSRx Underwater Slip Ring Contact

Specifications :

General	
Working Depth	80m
Material	S/S 316
Contacts	0-12 & 13-21
Max Speed	300 Rpm
Lifetime	100 Million revolutions
Electrical	
Rating voltage	240VAC
Rating current	2A/ring, 5A, 10A by parallel
Insulation resistance	1000MΩ@500VDC
Dielectric strength	600VDC@50Hz
Electrical noise	10mΩ@6VDC,50m
Contact material	Gold-Gold
Lead wire	12 color AWG#28 Teflon wire
Connectors	
Rotor	MCBHxM (Depends on number of contacts)
Stator	MCBHxM (Depends on number of contacts)
Size	
Width	Ø 75 mm
Height	100/125 mm
Weight	2,5 kg (in air), 2,2 kg (in water)

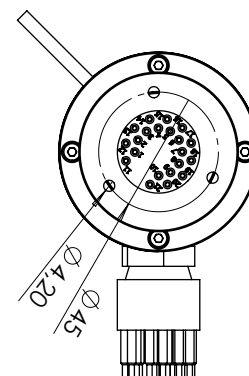
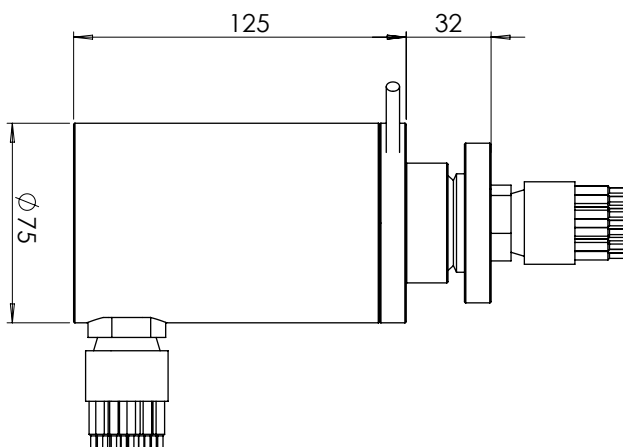
NSUWSR-6-12

Dimensions (mm)



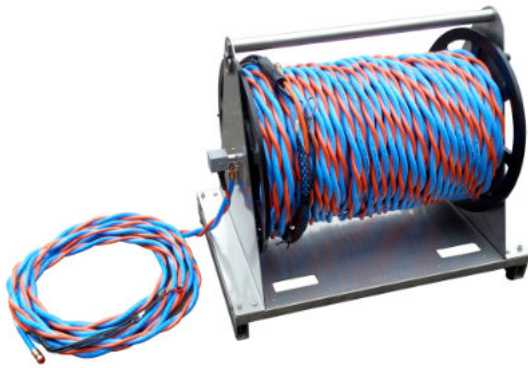
NSUWSR-13-21

Dimensions (mm)



NOVASUB Available products that can be used in combination with NSUWRx :

NSUR470-700



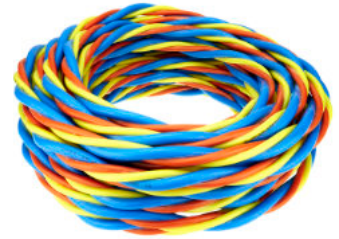
STANDING UMBILICAL REEL

NSURHR1-60M



WALL MOUNTED UMBILICAL REEL

DUx



UMBILICALS

NSCRx



CABLE REEL

NSCR450



CABLE REEL

DLRx & CDURx



CABLES
for video & comms