

HPREG4000 Gas Pressure Regulator

HPREG4000 | High pressure, high flow regulator with 4000 LPM@13 Bar flow rate.

The HPREG4000 is a high-pressure, high flow regulator with excellent performance, capable of the largest flow rate in its class, with 4000 LPM @ 13 Bar. The HPREG4000-13 multi-stage design ensures accurate pressure control through the life of the cylinder. The HPREG4000 two-stage piston-cylinder regulators are designed for the primary control of non-corrosive or toxic, thigh-flow, high-pressure applications where constant delivery pressure is required as the cylinder pressure decreases. The regulator can accept technical grade gases up to grade 4.5 purity (99.995%)

This product is used in many process control applications and is suitable for both cylinder and manifold mounting. It can be used on 200 & 300 Bar gas/diving cylinders with a DIN connection.



Configurations :

- HPREG4000-13-300B
- HPREG4000-x-300B

Features:

- All brass construction
- Finned body
- Safety relief valve
- Multi-stage design

Applications:

- Commercial Diving
- Personal Air supply

website link : <https://www.novasub.com/product/hpreg4000-multi-stage-high-pressure-regulator/>

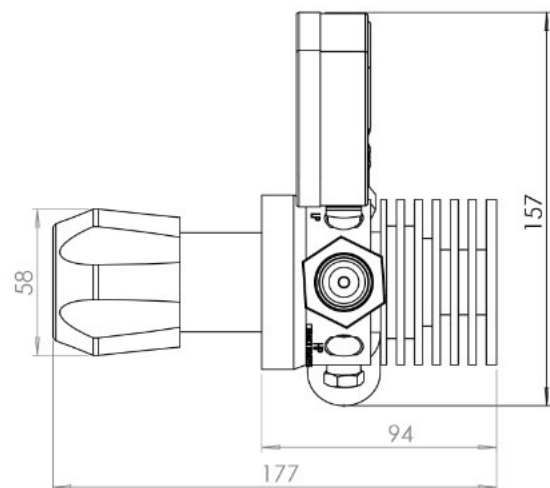
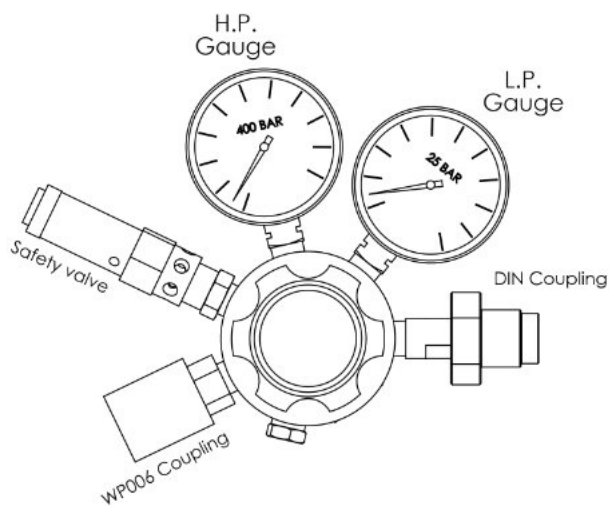
product video : <https://www.youtube.com/channel/UCRqqqmJy8O7XEabp7S1rpQ>

HPREG4000 Gas Pressure Regulator

Specifications :

Model	HPREG4000-13-300B	HPREG4000-x-300B
Type	Multi Stage	
Inlet Pressure	300 bar	300 Bar
Outlet Pressure	0-13 Bar	0-41 Bar (depends on safety valve)
Max. Flowrate	270m ³ /hr @21°C in air at 300 Bar inlet	
Connections		
Inlet	Din/RU6 300 bar (fits on 200 bar)	Din/RU6 300 bar (fits on 200 bar)
Outlet	WP coupling Female or JIC06 male	1/4" NPT Female
Dimensions		
Height	157 mm	
Width	65 mm	
Depth	177 mm	
Weight	3 Kg	
Temperature Range	-20°C to +60°C	

Dimensions (mm)



NOVASUB Available products that can be used in combination with HPREG4000 :

PROTEUS



DIVING AIR / COMMS / LIGHT & VIDEO PANEL
All-in one rack

BOREAS



DIVING AIR
Cases & Panels

DUx



UMBILICALS