

LUX6XHPSSB Underwater Light

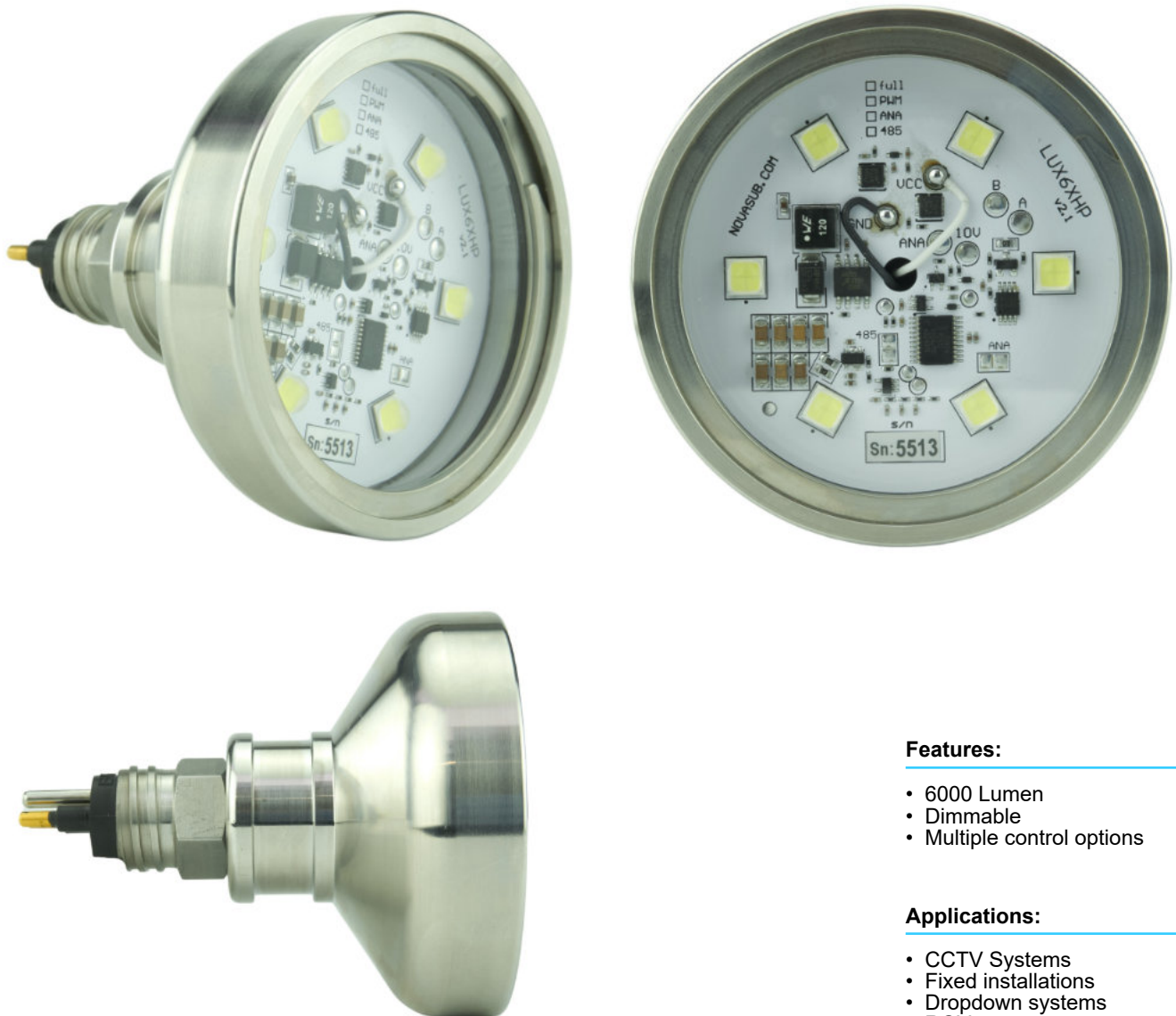
HELIOS-3 | Underwater LED Light 6000 lm

The HELIOS 3 is a high-performance underwater LED light designed to provide powerful illumination in a compact and robust package. Equipped with six high-output LEDs, it delivers a wide, even beam that is ideal for underwater video, inspection, and general subsea lighting applications. The light can be configured with a variety of connector options and control interfaces to suit different operational requirements.

Constructed from durable materials and rated for depths of up to 200 meters, the HELIOS 3 is designed to withstand demanding underwater environments while providing reliable performance.

An integrated temperature and power management system continuously monitors the light and automatically reduces output when necessary, protecting the LEDs from overheating if the unit is operated out of the water for extended periods.

The HELIOS 3 features a wide input voltage range and built-in reverse polarity protection, ensuring reliable operation and safeguarding the electronics against incorrect power connections. Its combination of high light output, robust construction, and protective features makes it a versatile solution for a wide range of underwater applications.



Features:

- 6000 Lumen
- Dimmable
- Multiple control options

Applications:

- CCTV Systems
- Fixed installations
- Dropdown systems
- ROV systems

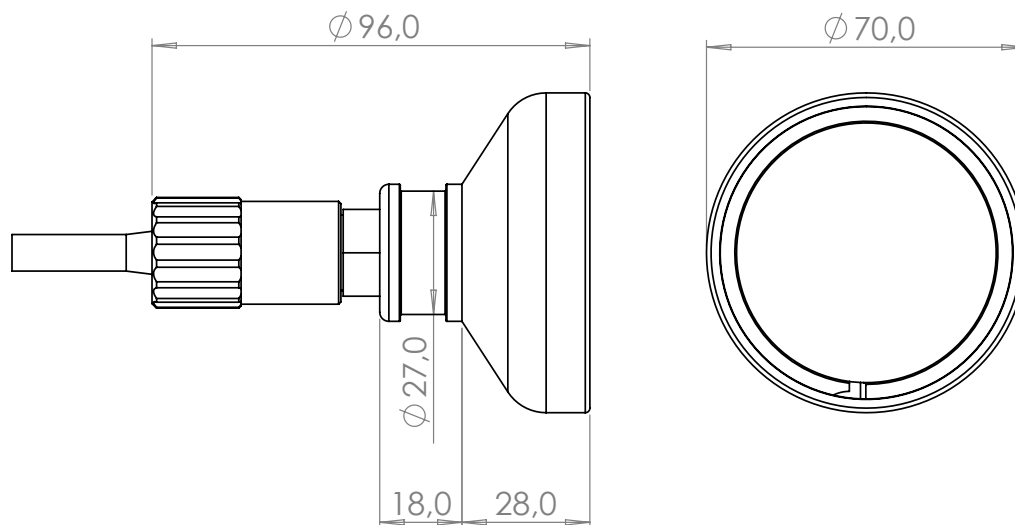
website link : <https://www.novasub.com/product/helios-3-underwater-light-6000-lumen/>

product video : <https://www.youtube.com/channel/UCRqqqmJy8O7XEabp7S1rpQ>

LUX6XHPSSB Underwater Light

Specifications :

MODEL	LUX6XHPSSx
Lumen	6000
Main Beam Angle	120°
Color Temp.	6200K
LED's	6
Connector	See Table below, custom connector available
Control	See Table below, customer variation available
Protection	Automatic Temperature Control, Reverse Polarity
Power Supply	24-48 vdc (55 watt)
Dimensions	90mm x \varnothing 70 – \varnothing 30 mm
Material Housing	Stainless Steel 316L
Material Frontglass	Polycarbonate
Weight	400 gr. (In air), 320 gr. (In fresh water)
Operating Depth	200 m
Connection for Mounting	Clamp \varnothing 27 mm



Connector & Control Table :

Model	LUX6XHPSSA	LUX6XHPSSB	LUX6XHPSSC	LUX6XHPSSD	LUX6XHPSS E	LUX6XHPSSX
Connector	MCBH5MSS	MCBH2MSS	MCBH5MSS	MCBH5MSS	MCBH5MSS	Any with 7/16" UNF
Function PIN 1	GND	GND	GND	GND	GND	custom
Function PIN 2	Vcc	Vcc	Vcc	Vcc	Vcc	custom
Function PIN 3	0-5 volt		PWM	rs485+ (A)	0-10 volt	custom
Function PIN 4				rs485- (B)		custom
Control	0-5 volt	Direct 20-24 vdc or 0-2,1 Ampere	PWM	rs485, 115 kbps, NovaBus control	0-10V	Direct or 0-5V or 0-10V or PWM or rs485 or

NOVASUB Available products that can be used in combination with HELIOS :

KRATOS



LIGHT & VIDEO CONTROL

TRITON



DIVER COMMUNICATION & VIDEO RECORDER

THALLASA



VIDEO RECORDER

DUx



UMBILICALS

DLRx & CDURx



CABLES
for video & comms

ARGOS



CAMERAS

BRACKETS



CAMERAS